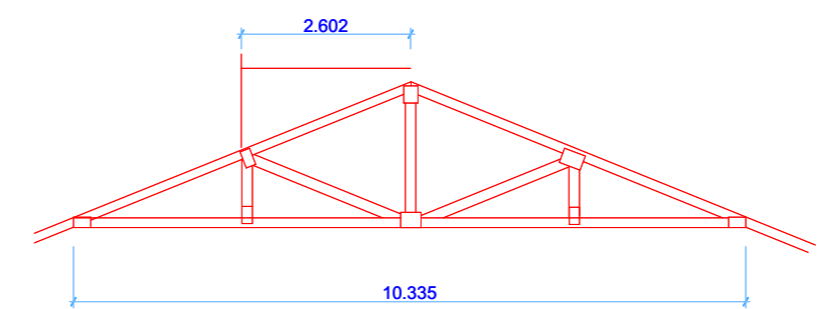
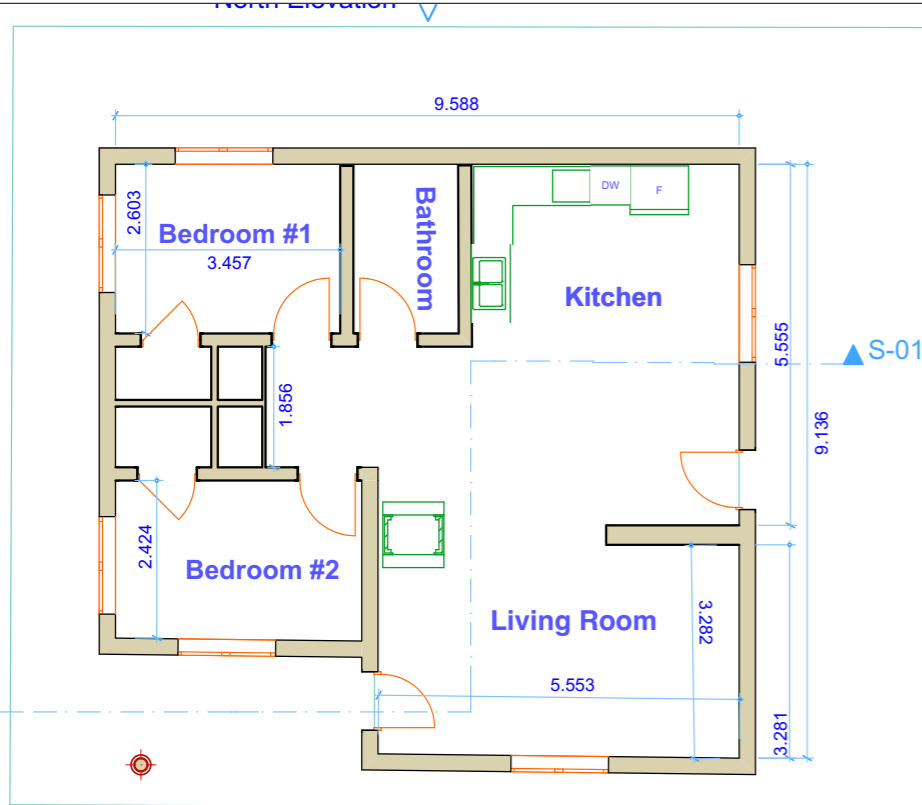


# Garden Hill First Nation Wood Cabin

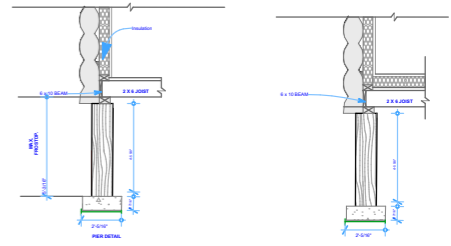


# Garden Hill First Nation Wood Cabin

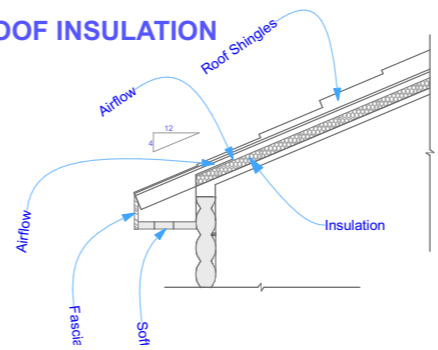


W-05 Roof Section-Insulation Details 1:100

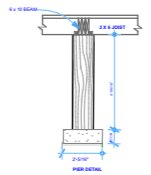
## FLOOR DETAILS



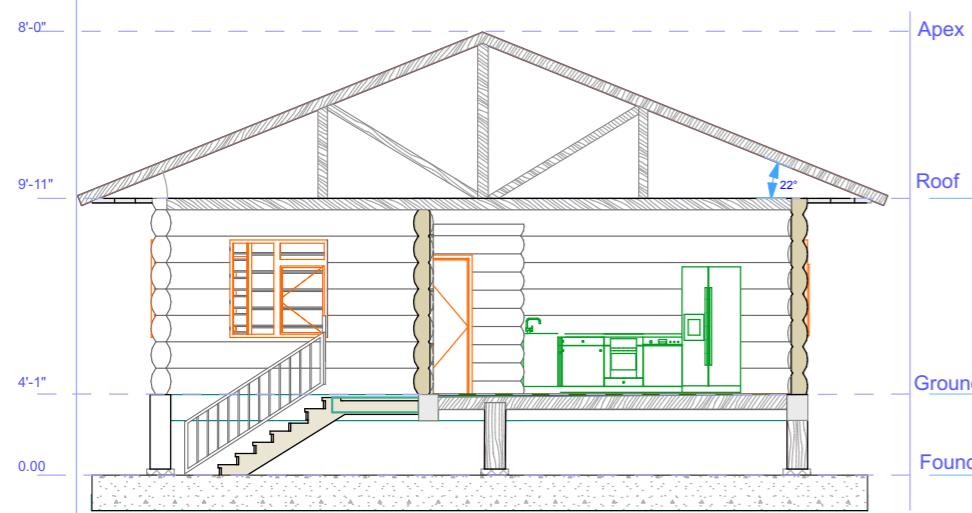
## ROOF INSULATION



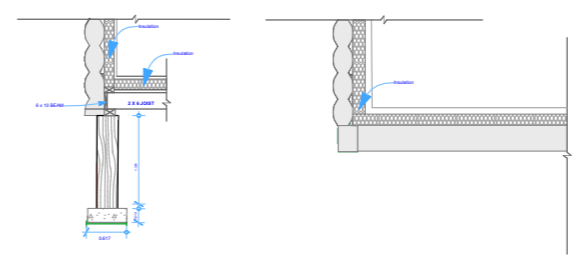
## PIER DETAILS



## SECTIONAL ELEVATION



## FLOOR AND WALL INSULATION



RevID	ChID	Change Name	Date

Company Title

**Mino Bimaadiziwin Partnership**  
Reconciliation in Action

**#Contact Company**

#Contact Address1  
#Contact City  
#Contact Country  
#Contact Postcode

**#Project Name**

#Site Address1  
#Site City  
#Site Country  
#Site Postcode

Drawing Name

#Checked by

Drawing Scale

**1:100**

Layout ID

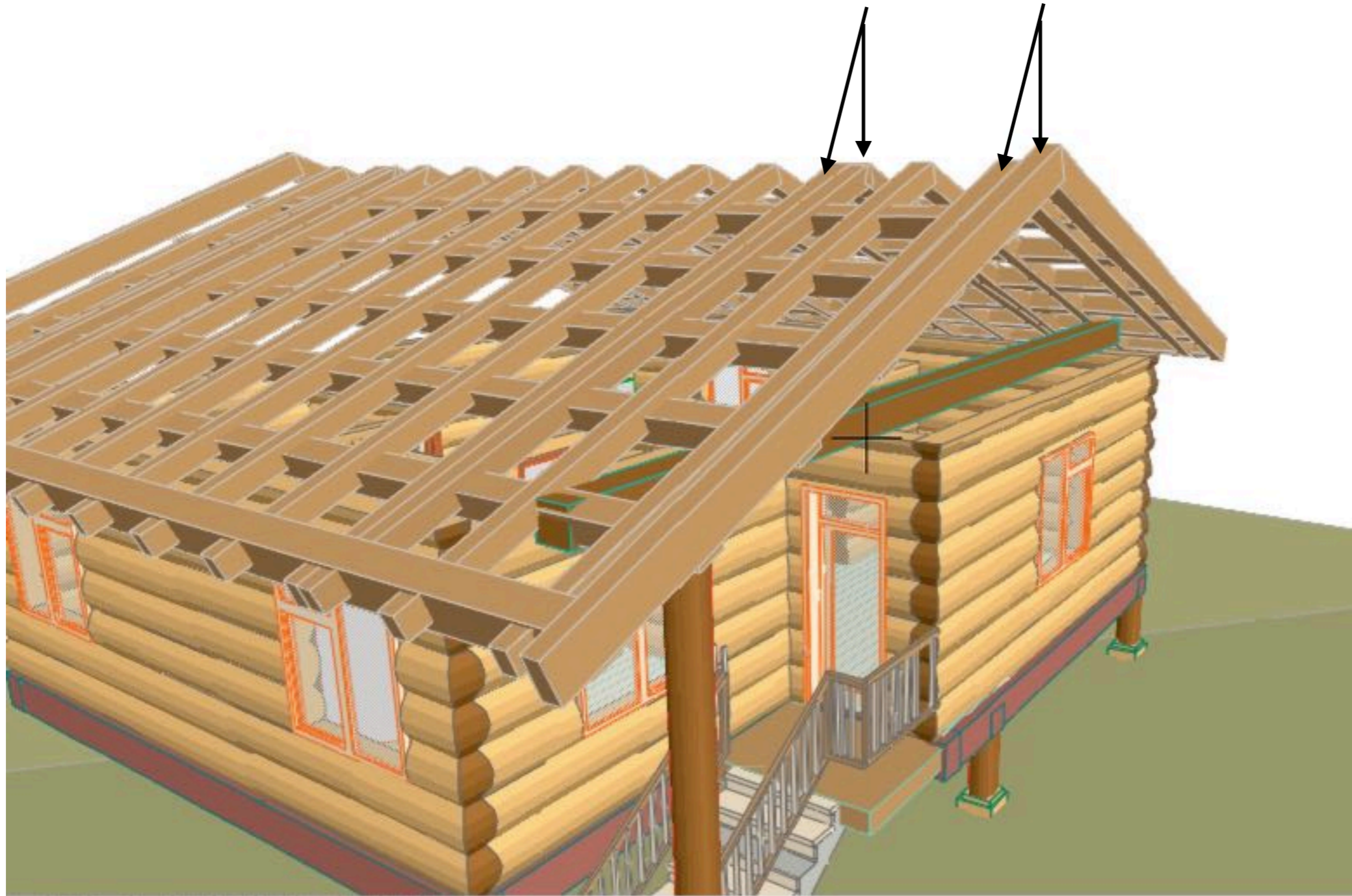
**#LayID**

Revision

**#RevID**

# Garden Hill First Nation Wood Cabin

Double Rafters to support large over hang roof



**Mino  
Bimaadiziwin  
Partnership**  
*Reconciliation in Action*

# Garden Hill First Nation Wood Cabin

Wood-burning stove location

